

# Commercial Security Systems



## Video Management and Surveillance Systems

**Honeywell**

**Authorized Dealer**  
Commercial Security Systems

# Camera Lens Options\*

Wide-Angle – 4mm



Mid-Range – 8mm



Close-Up – 16mm



# The Impact of Color\*

**When identification is critical, color is essential.**

- Color helps provide precise identification that can make the difference between apprehension and evasion or inventory management and shrinkage.
- Color is the optimum way to clearly identify people and objects.



"The suspect was seen removing the security tag from a jacket. She has light hair and is wearing a dark shirt."



"The suspect was seen removing the security tag from a blue jacket. She has blonde hair and is wearing a red shirt."



"There are boxes missing from the warehouse."



"The boxes missing from the warehouse have distinct, round red and black logos on them."

\*Lens options are merely depictions. Actual results may vary.

# The Impact of Lighting\*

Lighting plays a role in the quality of the picture.



Poor Lighting



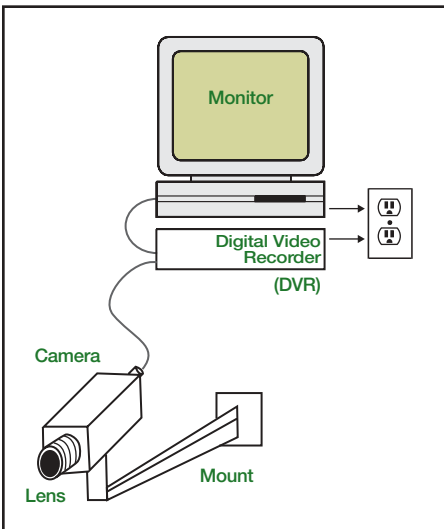
Good Lighting

Unlimited Opportunities for Security

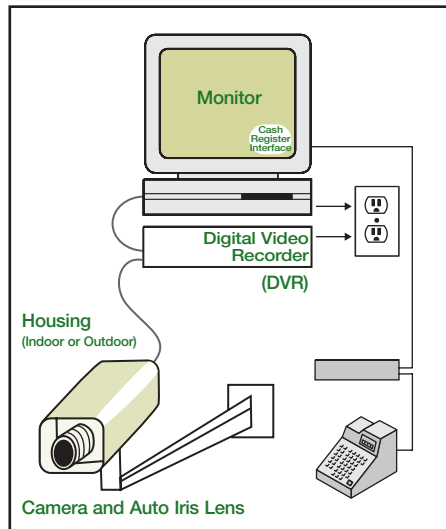


Warehouses

## Video Management Surveillance Systems



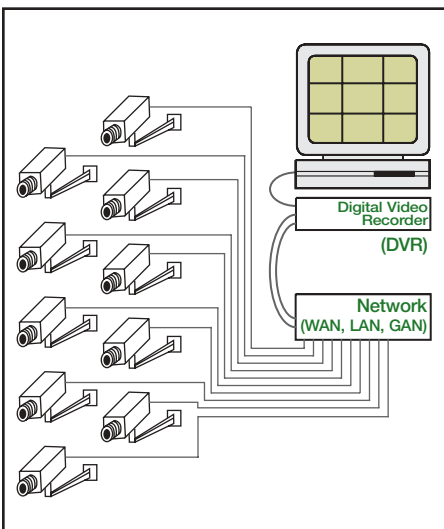
Camera, DVR, and Monitor



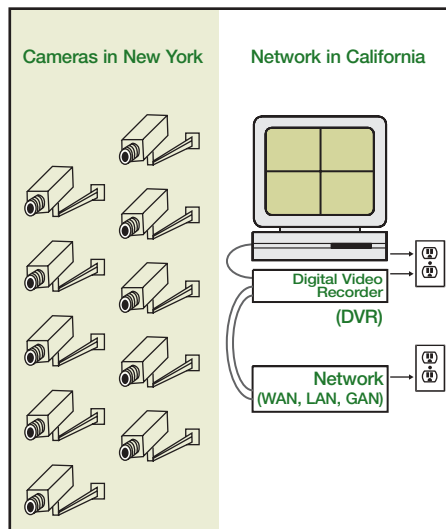
Camera (in-housing), DVR, and Monitor with Cash Register Interface



Medical Facilities



Networked Video System



Remote Video System



Retail Stores



Banking Institutions

**Honeywell Security & Custom Electronics**

Honeywell

Syosset, NY 11791

[www.honeywell.com](http://www.honeywell.com)

L/VIDECOB/R/D  
January 2005

© 2005 Honeywell International Inc.

**Honeywell**

**Authorized Dealer**

Commercial Security Systems